



Made in
Småland

CTC VT

Volume tanks for enlarging heating systems.

Model: 50, 80, 100, 200C and 300C.



- Minimises the risk of noise in the heating system
- Energy-efficient insulation
- Suitable for all heating systems
- Flexible wall or floor installation
- Suitable for both heating and cooling
- Available in five sizes

CTC VT 50 - 300C

CTC VT is a series of volume tanks specially designed to increase the volume of the heating system with heat pump operation.

Well-insulated for minimal loss

To minimise heat loss and to meet high European energy requirements, all models are well-insulated with efficient, eco-friendly foam insulation.

For all heating systems

CTC VT is a series of volume tanks specially designed and adapted for heat pump operation. They have been designed to be easily adapted to various types of heating system. CTC VT can be used for volume increase, flow equalisation and reduction of any annoying noises in the heating system.

Wall-mounted volume tanks

VT 50 and VT 100 is easily mounted on the wall with the accompanying wall bracket.

The CTC VT 100 can also be mounted on the floor, as it comes with factory-fitted feet.

Floor-standing volume tanks

CTC VT 200C and 300C are floor-standing volume tanks with four side connections and two connections for temperature sensors. They are condensate-insulated, which makes them suitable also for heating systems

with cooling.

The CTC VT 80 is a compact floor-standing volume tank with four side connections and one temperature sensor connection.

CTC – Experience you can rely on

CTC is a Swedish brand with over 100 years of experience in heating technology. When you choose CTC, you're not just investing in reliable products – you also gain access to expert service and dependable support whenever you need it.



CTC VT 50-100:

Wall-mounted volume tank with four side connections G 1 1/4".
Wall bracket, ball valve and bleeder are included in delivery.



CTC VT 80:

Floor-standing volume tank with four side connections R 3/4".



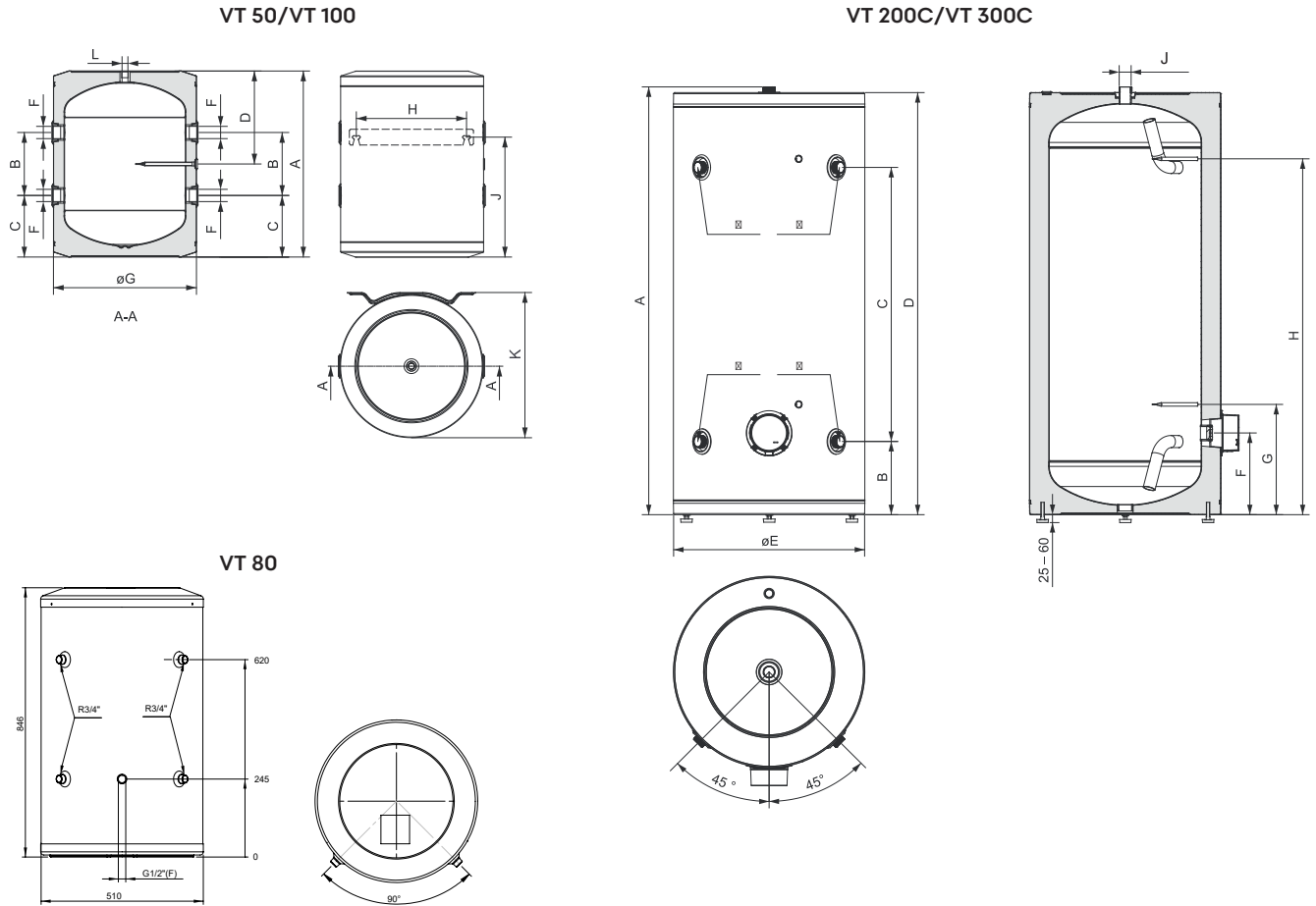
CTC VT 200C-300C:

Floor-standing volume tank with four side connections G 1 1/4" also adapted for heating systems with cooling. There is also a connection intended for the connection of an immersion heater.



Dimensional drawing

| | A | B | C | D | E | F | G | H | J | K | L |
|---------|------|-----|-----|------|-----|--------|-----|------|--------|-----|--------|
| VT 50 | 590 | 200 | 195 | 295 | - | G11/4" | 454 | 350 | 380 | 461 | G 1/2" |
| VT 100 | 1035 | 645 | 195 | 320 | - | G11/4" | 454 | 350 | 676 | 461 | G 1/2" |
| VT 200C | 1460 | 228 | 975 | 1444 | 570 | 258 | 358 | 1233 | G11/4" | - | - |
| VT 300C | 1498 | 256 | 960 | 1478 | 670 | 286 | 386 | 1246 | G11/4" | - | - |



| Technical data | | VT 80 | VT 50 | VT 100 | VT 200C | VT 300C |
|-------------------------------------|--------|---------------|---------------|---------------|---------------|---------------|
| CTC no. | | 587190301 | 589610001 | 589611001 | 589612001 | 589613001 |
| Weight (packaged) | kg | 14 (15) | 16.5 (18.5) | 32 (34) | 55 (67) | 71 (84) |
| Dimensions (Ø x height) | mm | Ø510x845 | Ø454x570 | Ø454x1010 | Ø570x1460 | Ø670x1500 |
| Connection, primary flow/return | mm | R 3/4" | DN32 (G11/4") | DN32 (G11/4") | DN32 (G11/4") | DN32 (G11/4") |
| Connection, venting/expansion | mm | DN15 (G 1/2") | DN15 (G 1/2") | DN15 (G 1/2") | DN32 (G11/4") | DN32 (G11/4") |
| Connection, draining | mm | - | DN15 (G 1/2") | DN15 (G 1/2") | - | - |
| Immersion tube, temperature sensor | mm | DN15 (G 1/2") | - | Ø9 | Ø9 | Ø9 |
| Connection, immersion heater | | - | - | - | DN40 (G11/2") | DN40 (G11/2") |
| Max. operating pressure | bar | 3 | 10 | 10 | 6 | 6 |
| Water volume | litres | 81 | 51 | 102 | 195 | 288 |
| Standing loss (S) (EN12897) | W | 42.4 | 46 | 68 | 77 | 88 |
| Max. water temperature | °C | 95 | 95 | 95 | 95 | 95 |
| Min. water temperature when cooling | °C | - | - | - | 5 | 5 |
| Energy-efficiency class (A+ to F) | | B | C | C | C | C |

Energy labels and data sheets can be downloaded from www.ctc-heating.com/ecodesign.